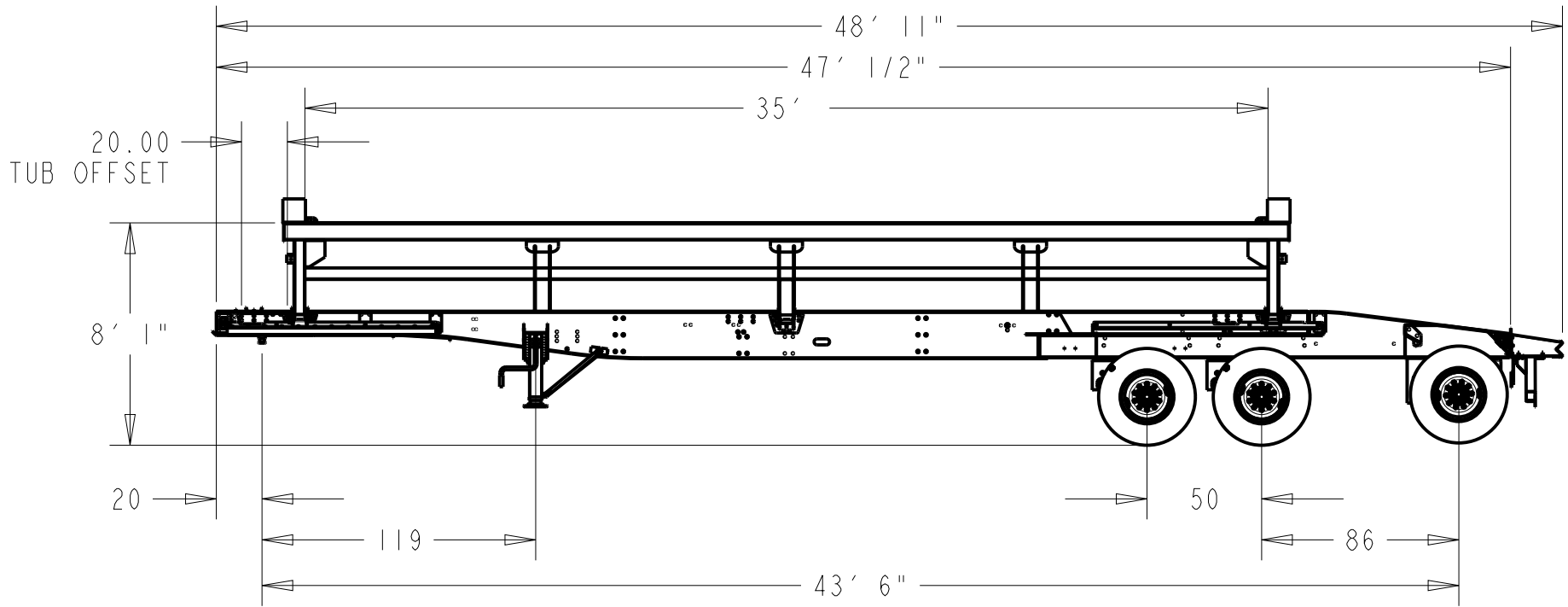


VOLUME: LEVEL: 23.00 CU. YDS. APPX.
HEAPING: 28.00 CU. YDS. APPX.



729 W. 21ST. P.O. BOX 265
SOUTH SIOUX CITY, NE 68776

DIMENSIONS DISPLAYED ARE
IN FEET & INCHES

SUPER TRI-AXLE TRAILER
47' FRAME - 35' TUB - 20" TUB OFFSET